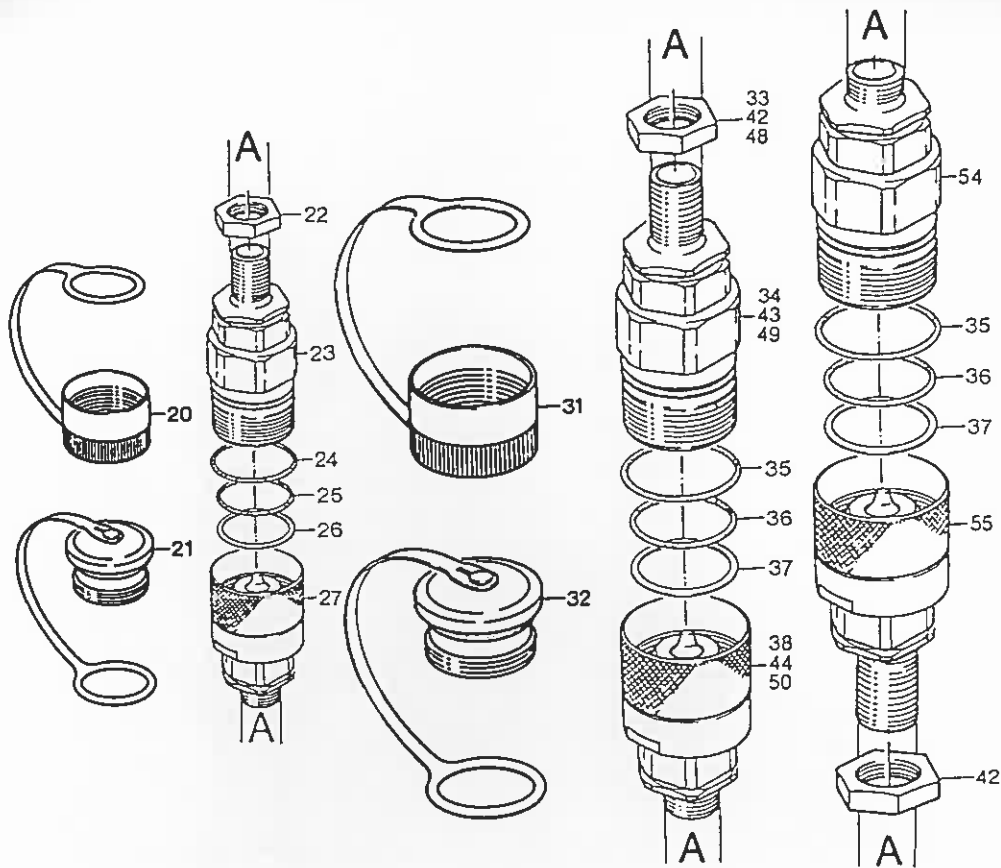
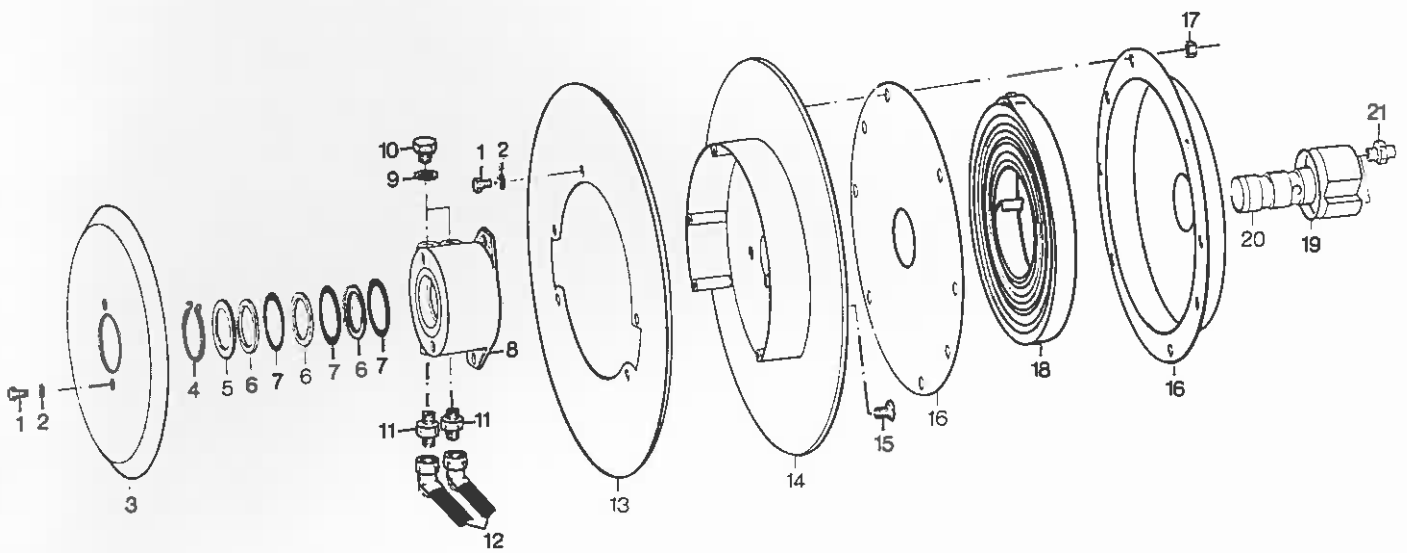


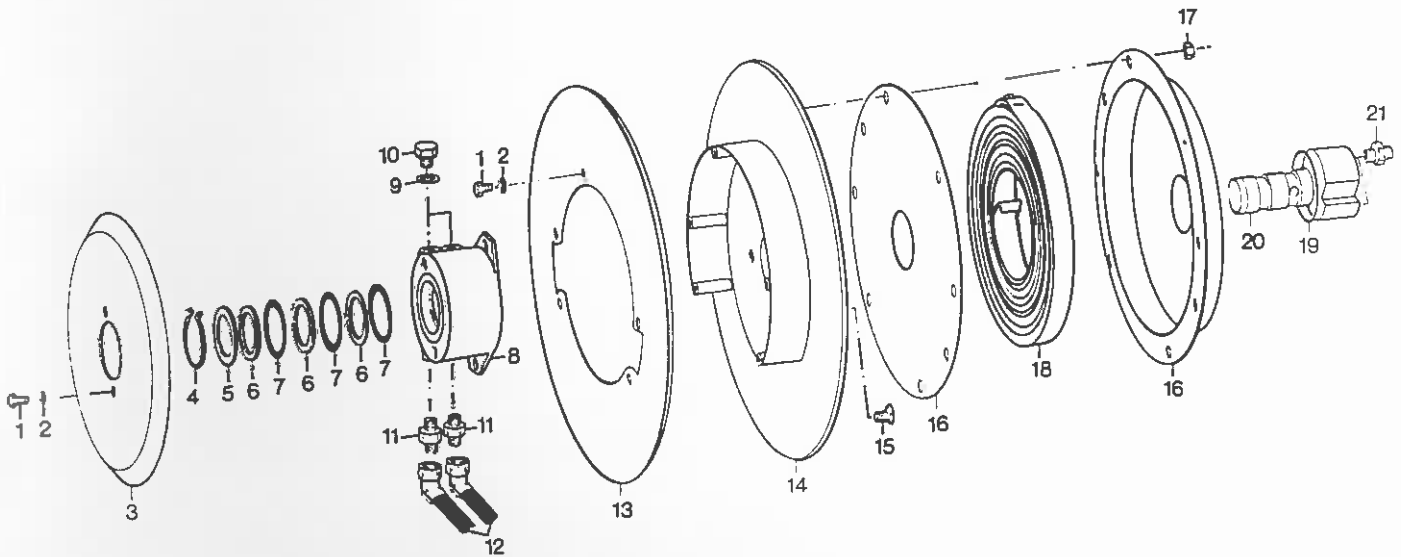
| POS | CO | ORDER | STK | BENENNUNG | DESCRIPTION | DESIGNATION | BEMERKUNG, REMARK, REMARQUE | 14.12.93 |
|-----|----|---------|-----|----------------------|----------------------|--------------------------|-----------------------------|-----------------------|
| NO. | DE | NO. | QNT | | | | | |
| | | | | STECKKUPPLUNG | PLUG-IN COUPLING | ACCOUPEMENT A FICHE | | |
| 1 | V | 2668873 | 1 | STAUBSTECKER DN 4- 8 | PROTECT PLUG DN 4- 8 | FICHE DE PROTECT DN 4- 8 | BG2 | |
| 1 | V | 0318581 | 1 | STAUBSTECKER DN 6-16 | PROTECT PLUG DN 6-16 | FICHE DE PROTECT DN 6-16 | BG3 | |
| 2 | V | 2668862 | 1 | STAUBKAPPE DN 4- 8 | DUST CAP DN 4- 8 | CHAPEAU A POUSS DN 4- 8 | BG2 | |
| 2 | V | 0318570 | 1 | STAUBKAPPE DN 6-16 | DUST CAP DN 6-16 | CHAPEAU A POUSS DN 6-16 | BG3 | |
| 3 | | 2659383 | 1 | SCHNELLV KUPPL M D | QUICK REL COUPL SO D | ATTACHE RAPIDE MANCHON D | POS.3-5 | BG2 DN 8L A=M16X1,5MM |
| 4 | D | 0866051 | 1 | O-RING | O-RING | JOINT ANNULAIRE | | |
| 5 | D | 2663005 | 1 | BACKRING | BACK UP RING | BAGUE DE SUPPORT | | |
| 6 | | 2659372 | 1 | SCHNELLV KUPPL S D | QUICK REL COUPL PL D | ATTACHE RAPIDE FICHE D | BG2 DN 8L A=M16X1,5MM | |
| 7 | | 2604264 | 1 | SCHNELLV KUPPL S E | QUICK REL COUPL PL E | ATTACHE RAPIDE FICHE E | BG3 DN 8S A=M20X1,5MM | |
| 7 | | 3610264 | 1 | SCHNELLV KUPPL S E | QUICK REL COUPL PL E | ATTACHE RAPIDE FICHE E | BG3 DN10S A=M22X1,5MM | |
| 8 | | 0481976 | 1 | SCHNELLV KUPPL M D | QUICK REL COUPL SO D | ATTACHE RAPIDE MANCHON D | POS.8-10 | BG3 DN10L A=M18X1,5MM |
| 9 | D | 0312814 | 1 | O-RING | O-RING | JOINT ANNULAIRE | | |
| 10 | D | 0308738 | 1 | BACKRING | BACK UP RING | BAGUE DE SUPPORT | | |
| 11 | | 0302083 | 1 | SCHNELLV KUPPL S E | QUICK REL COUPL PL E | ATTACHE RAPIDE FICHE E | POS.11,12 | BG3 DN 8S A=M20X1,5MM |
| 11 | | 1687341 | 1 | SCHNELLV KUPPL S E | QUICK REL COUPL PL E | ATTACHE RAPIDE FICHE E | POS.11,12 | BG3 DN10S A=M22X1,5MM |
| 11 | | 0314316 | 1 | SCHNELLV KUPPL S E | QUICK REL COUPL PL E | ATTACHE RAPIDE FICHE E | POS.11,12 | BG3 DN13S A=M24X1,5MM |
| 12 | | 1644306 | 1 | SECHSKANTMU A3C | NUT A3C | ECROU A SIX PANS A3C | A=M20X1,5MM | |
| 12 | | 0422442 | 1 | SECHSKANTMU A3C | NUT A3C | ECROU A SIX PANS A3C | A=M22X1,5MM | |
| 12 | | 0476195 | 1 | SECHSKANTMU A3C | NUT A3C | ECROU A SIX PANS A3C | A=M24X1,5MM | |
| 12 | | 1385857 | 1 | SECHSKANTMU A3C | NUT A3C | ECROU A SIX PANS A3C | A=M26X1,5MM | |
| 13 | | 0341546 | 1 | SCHNELLV KUPPL M D | QUICK REL COUPL SO D | ATTACHE RAPIDE MANCHON D | POS.9,10,13 | BG3 DN13L A=M22X1,5MM |
| 14 | | 0341535 | 1 | SCHNELLV KUPPL S D | QUICK REL COUPL PL D | ATTACHE RAPIDE FICHE D | POS.12,14 | BG3 DN16L A=M26X1,5MM |



| POS | CO | ORDER | STK | BENENNUNG | DESCRIPTION | DESIGNATION | BEMERKUNG, REMARK, REMARQUE | 14.12.93 |
|-----|----|---------|-----|---------------------|----------------------|--------------------------|-----------------------------|-----------------------|
| NO. | DE | NO. | QNT | | | | | |
| | | | | SCHRAUBKUPPLUNG | SCREW COUPLING | ACCOUPEMENT A VIS | | |
| 20 | V | 0461029 | 1 | STAUBKAPPE | DUST CAP | CHAPEAU A POUSSIERE | BG3 DN10 | |
| 21 | V | 0461030 | 1 | STAUBSTECKER | PROTECTING PLUG | FICHE DE PROTECTION | BG3 DN10 | |
| 22 | | 1644306 | 1 | SECHSKANTMU A3C | NUT A3C | ECROU A SIX PANS A3C | | A=M20X1,5MM |
| 23 | | 0378312 | 1 | SCHNELLY KUPPL M E | QUICK REL COUPL SO E | ATTACHE RAPIDE MANCHON E | POS.22-26 | BG3 DN85 A=M20X1,5MM |
| 24 | D | 2610637 | 1 | O-RING | O-RING | JOINT ANNULAIRE | | |
| 25 | D | 0311937 | 1 | O-RING | O-RING | JOINT ANNULAIRE | | |
| 26 | D | 2610626 | 1 | BACKRING | BACK UP RING | BAGUE DE SUPPORT | | |
| 27 | | 0464657 | 1 | SCHNELLY KUPPL S D | QUICK REL COUPL PL D | ATTACHE RAPIDE FICHE D | BG3 DN10L | A=M18X1,5MM |
| 31 | V | 0362858 | 1 | SCHUTZKAPPE DN16-25 | PROTECT CAP DN16-25 | COIFFE PROTECTR DN 16-25 | BG6 | |
| 32 | V | 0362869 | 1 | STAUBSTECKER | PROTECTING PLUG | FICHE DE PROTECTION | BG6 DN16-25 | |
| 33 | | 1385857 | 1 | SECHSKANTMU A3C | NUT A3C | ECROU A SIX PANS A3C | | A=M26X1,5MM |
| 34 | | 0359477 | 1 | SCHNELLY KUPPL M D | QUICK REL COUPL SO D | ATTACHE RAPIDE MANCHON D | POS.33-37 | BG6 DN16L A=M26X1,5MM |
| 35 | D | 0357000 | 1 | O-RING | O-RING | JOINT ANNULAIRE | | |
| 36 | D | 0342161 | 1 | O-RING | O-RING | JOINT ANNULAIRE | | |
| 37 | D | 0359499 | 1 | STUETZRING | THRUST RING | ANNEAU DE SUPPORT | | |
| 38 | | 0481965 | 1 | SCHNELLY KUPPL S D | QUICK REL COUPL PL D | ATTACHE RAPIDE FICHE D | BG6 DN16L | A=M26X1,5MM |
| 42 | | 0464635 | 1 | SECHSKANTMU A3C | NUT A3C | ECROU A SIX PANS A3C | | A=M36X2,0MM |
| 43 | | 0379700 | 1 | SCHNELLY KUPPL M E | QUICK REL COUPL SO E | ATTACHE RAPIDE MANCHON E | POS.35-37,42,43 | BG6 DN20S A=M36X2,0MM |
| 44 | | 0379697 | 1 | SCHNELLY KUPPL S E | QUICK REL COUPL PL E | ATTACHE RAPIDE FICHE E | BG6 DN20S | A=M36X2,0MM |
| 48 | | 0319571 | 1 | SECHSKANTMU A3C | NUT A3C | ECROU A SIX PANS A3C | | A=M42X2,0MM |
| 49 | | 0464680 | 1 | SCHNELLY KUPPL M D | QUICK REL COUPL SO D | ATTACHE RAPIDE MANCHON D | POS.35-37,48,49 | BG6 DN25L A=M36X2,0MM |
| 49 | | 0457692 | 1 | SCHNELLY KUPPL M E | QUICK REL COUPL SO E | ATTACHE RAPIDE MANCHON E | POS.35-37,48,49 | BG6 DN25S A=M42X2,0MM |
| 50 | | 0457716 | 1 | SCHNELLY KUPPL S E | QUICK REL COUPL PL E | ATTACHE RAPIDE FICHE E | BG6 DN25S | A=M42X2,0MM |
| 54 | | 0810464 | 1 | SCHNELLY KUPPL M D | QUICK REL COUPL SO D | ATTACHE RAPIDE MANCHON D | POS.35-37,54 | BG6 DN25L A=M36X2,0MM |
| 55 | | 0810453 | 1 | SCHNELLY KUPPL S D | QUICK REL COUPL PL D | ATTACHE RAPIDE FICHE D | POS.42,55 | BG6 DN25L A=M36X2,0MM |



| POS NO. | CO DE | ORDER NO. | STK QNT | BENENNUNG | DESCRIPTION | DESIGNATION | BEMERKUNG, REMARK, REMARQUE | 15.12.93 |
|------------|----------|--------------|------------|----------------------|--------------------|--|-----------------------------|----------|
| | | 2644273 | 1 | SCHLAUCHTROMMEL R | HOSE DRUM R | TAMBOUR DE TUYAU FLEX DRO POS.1-21 | W2R470/9,5M | |
| | | 2647287 | 1 | SCHLAUCHTROMMEL R | HOSE DRUM R | TAMBOUR DE TUYAU FLEX DRO POS.1-10,13-20 | W2R470 | |
| | | 2648244 | 1 | SCHLAUCHTROMMEL L | HOSE DRUM L | TAMBOUR DE TUYAU FLEX GAU POS.1-21 | W2L470/9,5M | |
| | | 2648233 | 1 | SCHLAUCHTROMMEL L | HOSE DRUM L | TAMBOUR DE TUYAU FLEX GAU POS.1-10,13-20 | W2L470 | |
| 1 | | 0893452 | 7 | SECHSKTSHR A3C | BOLT A3C | VIS A TETE SIX PANS A3C | | |
| 2 | | 2646673 | 7 | FAECHERSCHEIBE A3C | WASHER A3C | RONDELLE A3C | | |
| 3 | | 2646639 | 1 | SCHUTZDECKEL | PROTECTING CAP | COIFFE PROTECTRICE | | |
| 4 | | 0321564 | 1 | SICHERUNGSR TONE 400 | CIRCLIP TONE 400 | CIRCLIPS TONE 400 | | |
| 5 | | 2646640 | 1 | SCHEIBE | WASHER | RONDELLE | | |
| 6 D | | 2647914 | 3 | GLEITRING | SLIDE RING | BAGUE DE GLISSEMENT | | |
| 7 D | | 0347815 | 3 | O-RING | O-RING | JOINT ANNULAIRE | | |
| 8 | | 2646582 | 1 | BLOCK | BLOCK | BLOC | | |
| 9 D | | 0318241 | 2 | DICHTRING A | GASKET A | JOINT A | | |
| 10 | | 0328196 | 2 | VERSCHLUSSSCHR A3C | PLUG A3C | BOUCHON A3C | | |
| 11 | | 1686340 | 2 | VERSCHRAUBUNG A3C | COUPLING A3C | RACCORD A3C | | |
| 12 | | 3620937 | 1 | ZWILLINGSCHLAUCH | TWIN HOSE | TUYAU FLEXIBLE JUMELE | | |
| 13 | | 2646606 | 1 | FLANSCH | FLANGE | BRIDE | | |
| 14 | | 2646593 | 1 | FLANSCH | FLANGE | BRIDE | | |
| 15 | | 1656457 | 3 | SENK SHR A3C | COUNTERS SCREW A3C | VIS NOYEE A3C | | |
| 16 | | 2646617 | 1 | FEDERGEHAUSE | SPRING HOUSING | CARTER DE RESSORT | | |
| 17 | | 1356932 | 11 | SECHSKANTMU A3C | NUT A3C | ECROU A SIX PANS A3C | | |
| 18 | | 2646628 | 1 | FEDER | SPRING | RESSORT | | |
| 19 D | | 0311335 | 1 | O-RING | O-RING | JOINT ANNULAIRE | | |
| 20 | | 2646571 | 1 | WELLE | SHAFT | ARBRE | | |
| 21 | | 2645343 | 2 | VERSCHRAUBUNG A3C | COUPLING A3C | RACCORD A3C | | |
| D | | 2646662 | 1 | DICHTSATZ | PACKING SET | JEU D'ETOUPAGE | POS.6,7 | |



| POS NO. | CO DE | ORDER NO. | STK QNT | BENENNUNG | DESCRIPTION | DESIGNATION | BEMERKUNG, REMARK, REMARQUE | 15.12.93 |
|------------|----------|--------------|------------|------------------------|--------------------|--|-----------------------------|----------|
| | | 2650873 | 1 | SCHLAUCHTROMMEL R | HOSE DRUM R | TAMBOUR DE TUYAU FLEX DRO POS.1-21 | W2R400/6,5M | |
| | | 2650862 | 1 | SCHLAUCHTROMMEL R | HOSE DRUM R | TAMBOUR DE TUYAU FLEX DRO POS.1-10,13-20 | W2R400 | |
| | | 2650851 | 1 | SCHLAUCHTROMMEL L | HOSE DRUM L | TAMBOUR DE TUYAU FLEX GAU POS.1-21 | W2L400/6,5M | |
| | | 2650839 | 1 | SCHLAUCHTROMMEL L | HOSE DRUM L | TAMBOUR DE TUYAU FLEX GAU POS.1-10,13-20 | W2L400 | |
| | | 1 | 0893452 | 7 SECHSKTSHR A3C | BOLT A3C | VIS A TETE SIX PANS A3C | | |
| | | 2 | 2646673 | 7 FAECHERSCHEIBE A3C | WASHER A3C | RONDELLE A3C | | |
| | | 3 | 2646639 | 1 SCHUTZDECKEL | PROTECTING CAP | COIFFE PROTECTRICE | | |
| | | 4 | 0321564 | 1 SICHERUNGSR TONE 400 | CIRCLIP TONE 400 | CIRCLIPS TONE 400 | | |
| | | 5 | 2646640 | 1 SCHEIBE | WASHER | RONDELLE | | |
| | D | 6 | 2647914 | 3 GLEITRING | SLIDE RING | BAGUE DE GLISSEMENT | | |
| | D | 7 | 0347815 | 3 O-RING | O-RING | JOINT ANNULAIRE | | |
| | | 8 | 2646582 | 1 BLOCK | BLOCK | BLOC | | |
| | D | 9 | 0318241 | 2 DICHTRING A | GASKET A | JOINT A | | |
| | | 10 | 0328196 | 2 VERSCHLUSSCHR A3C | PLUG A3C | BOUCHON A3C | | |
| | | 11 | 1686340 | 2 VERSCHRAUBUNG A3C | COUPLING A3C | RACCORD A3C | | |
| | | 12 | 3620948 | 1 ZWILLINGSSCHLAUCH | TWIN HOSE | TUYAU FLEXIBLE JUMELLE | | |
| | | 13 | 2659894 | 1 FLANSCH | FLANGE | BRIDE | | |
| | | 14 | 2659883 | 1 FLANSCH | FLANGE | BRIDE | | |
| | | 15 | 1656457 | 3 SENK SHR A3C | COUNTERS SCREW A3C | VIS NOYEE A3C | | |
| | | 16 | 2659907 | 1 FEDERGEHAUSE | SPRING HOUSING | CARTER DE RESSORT | | |
| | | 17 | 1356932 | 11 SECHSKANTMU A3C | NUT A3C | ECROU A SIX PANS A3C | | |
| | | 18 | 2659918 | 1 FEDER | SPRING | RESSORT | | |
| | D | 19 | 0311335 | 1 O-RING | O-RING | JOINT ANNULAIRE | | |
| | | 20 | 2646571 | 1 WELLE | SHAFT | ARBRE | | |
| | | 21 | 2645343 | 2 VERSCHRAUBUNG A3C | COUPLING A3C | RACCORD A3C | | |
| | D | 2646662 | 1 | DICHTSATZ | PACKING SET | JEU D'ETOUPEGE | POS. 6, 7 | |